

imanpack

PACKAGING & ECO SOLUTIONS

STARLIGHT PBA/PBB

Electronic Flow-wrapper (HFFS)

Starlight is the newest and ultimate in Imanpack's horizontal electronic form, fill and seal series. This long-time sealing wrapper is designed to meet the specific needs of customers.

Starlight is highly engineered and user friendly and guaranteeing reliability, flexibility, high production speed, easy maintenance and cleaning.



(Version with bottom reel holder)

Product range

Length: from 100 mm to unlimited

Width: from 10 to 380 mm

Height: up to 250 mm

Speed

Up to 120 pck/min



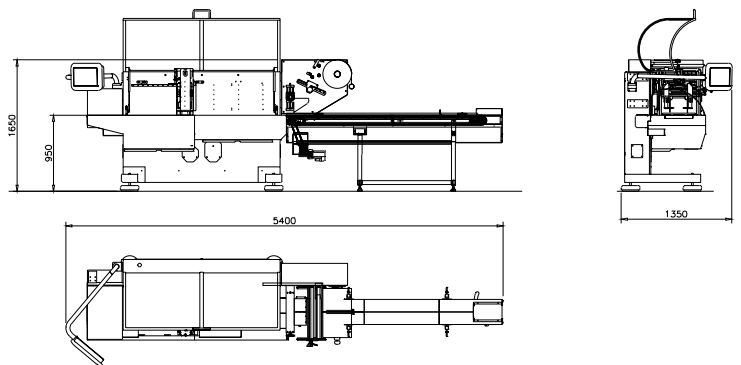


ACCESSORIES

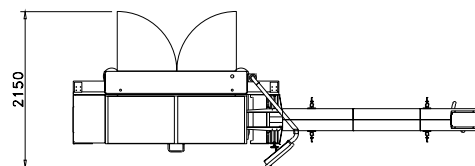
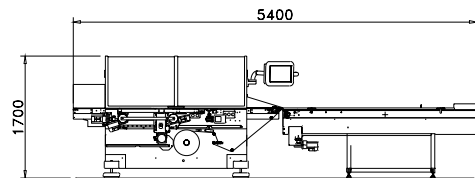
- Automatic feeding systems.
- Labellers and printers.
- Gas flushing systems.

TECHNICAL FEATURES

- Fully servo-driven with all independent brushless servo-motors.
- Friendly operator's interface to ensure maximum simplicity in use.
- Up to 50 programs memory to reduce set-up and change over times.
- Automatic working set-up according to desired output.
- Key-pad and LCD control panel, swing arm mounted.
- Up to 900 mm width double reel holder.
- Simple integration with different in-feed systems.
- Suitable for food and non-food products.
- Available PBA and PBB version.
- Machine built according to CE standard.



(Version with top reel top)



(Version with bottom reel holder)

layout

imanpack

PACKAGING & ECO SOLUTIONS

Via Lago di Bolsena, 19 36015 Schio (VI) ITALY
 Tel. +39.0445.578.811 Fax+39.0445.575.111
 www.imanpack.it email: info@imanpack.it